

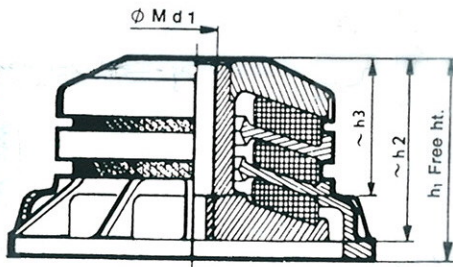
SHOCK TECH

360 Route 59
Monsey, NY 10952
Tel : 845 368 8600
Fax: 845 368 8799

Email: info@shocktech.com

Web: www.shocktech.com

Shock Tech, Incorporated p/n WM318D wire mesh mount specification sheet

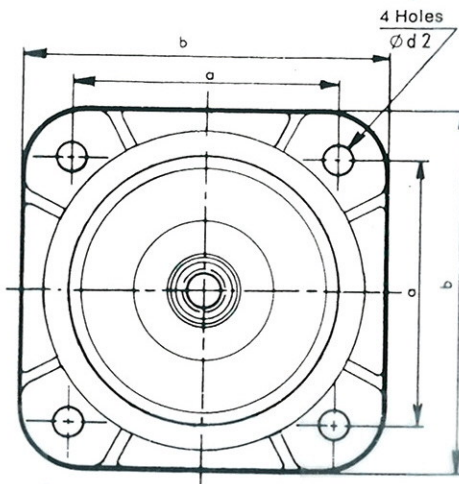


$h_1=125$ mm

$h_2=112$ mm

$h_3=80$ mm

$d_1=127$ mm



$d_2=17$ mm

$a=170$ mm

$b=220$ mm

damping ratio=0.125

weight carrying capability in compression=562 to 15,737 lbf

for isolating rotating machinery less than 2000 rpm

mount weight=29 lbf

Applications include: gensets, air compressors, blowers, fans, air conditioners.

PREPARED BY:

Gary Melone
5/5/10

APPROVED BY:

K. K.