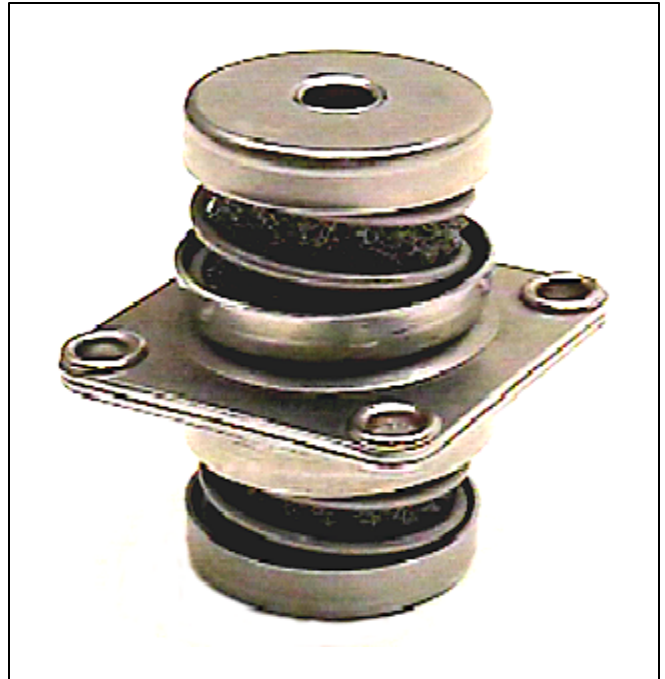


# WM9300 SERIES

Natural frequency	12 - 15 Hz
Transmissibility at resonance	4.0
Resilient element	Steel cushion
Metal parts	Aluminum/Stainless steel
Operating temperature	-100 deg. F to +400 deg. F (-75 deg. C to + 205 deg. C)
Weight	1.3 - 4.8 oz.
Part Number	Load rating (Lbs.)
WM9301	0.5 - 3.0
WM9302	1.0 - 6.5
WM9303	2.0 - 13
WM9304	1.0 - 16



## Characteristics

- 1 Mount inner core is stainless steel. Housing and base are aluminum
- 1 Mounts exhibit an axial-to-radial stiffness ratio of 1:1
- 1 Good damping
- 1 Structural strength correspond to a continuous loading of 10g's

## Environment

- 1 Operational temperature range of -100°F to +400°F (-75°C to 205°C)
- 1 All metal construction
- 1 Resist fuels, hydraulic oils, fluids, ozone, sand and dust, or other adverse environments

## Installation

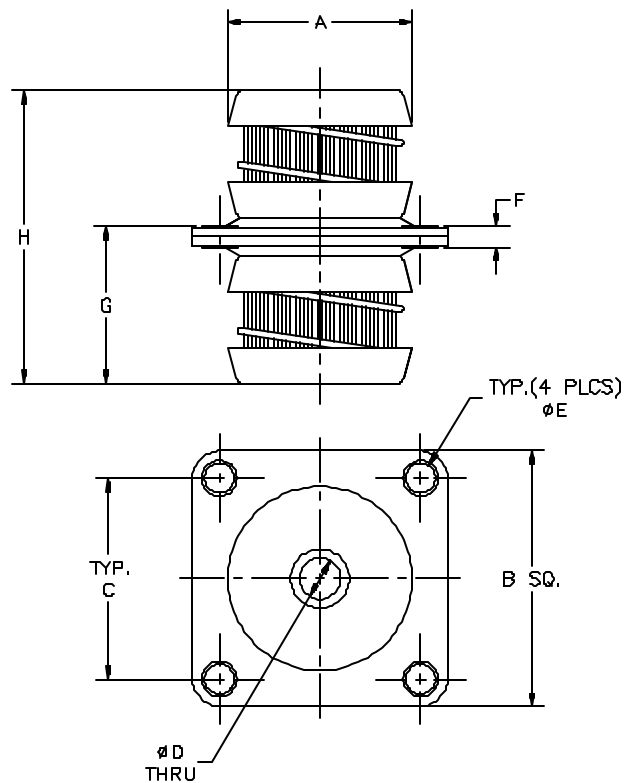
- 1 No special tools required
- 1 Through hole center core and four (4) through holes at the base

## How to order

- 1 Standard mount: see table
- 1 For non standard items, contact Shock-Tech.

## Applications

- 1 Airborne equipment/electronics
- 1 Control panels
- 1 Measuring instruments
- 1 Machine tools
- 1 Industrial equipment
- 1 Engine management units



Part No	Static Load Range (Lbs.)	Dimensions in inches							
		A	B	C	D	E	F	G	H
WM9301-1	0.5 - 1								
-2	1 - 2	0.94	1.25	1	0.221	0.141	0.047	0.80	1.50
-3	2 - 3								
WM9302-1	1 - 2								
-2	1 3/4 - 3 1/2	1.22	1.75	1.375	0.281	0.196	0.188	1.09	2.00
-3	3 1/4 - 6 1/2								
WM9303-1	2 - 3								
-2	3 - 5								
-3	5 - 7	1.56	1.97	1.375	0.344	0.196	0.188	1.25	2.31
-4	7 - 10								
-7	10 - 13								
WM9304-1	1 - 2								
-2	7 - 11								
-3	11 - 16	1.94	2.25	1.75	0.344	0.196	0.188	1.25	2.31
-4	4 1/2 - 7								
-5	2 - 3								
-6	3 - 4 1/2								