

# ShockSkids™

## Applications

- Military shelters
- Large packaging helicopter released
- Pallets
- Transit frames
- Large shipping containers
- S280C shelter
- S280D shelter

## Characteristics

- 20G response to 18 in. flat and edge drop tests
- Standard size lengths: 10, 12 or 20 feet
- Provides protection against drops, helicopter release, towing, fork lifting, impact and vibration
- Skid mounts consist of two aluminum extrusions with resilient elements in between.

## Payload capability

- Elastomeric and cable mount designs allow for a wide load range and center of gravity offsets.
- Payload capability up to 20,000 pounds. Consult Shock-Tech for details.

## Environment

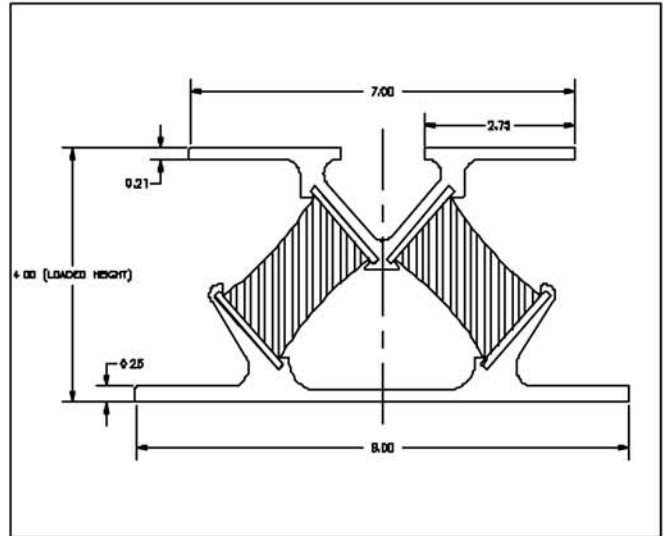
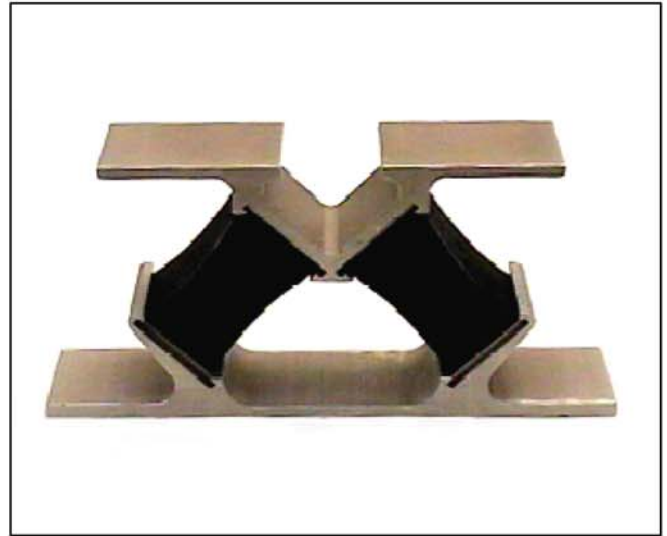
- Elastomeric construction :  
Operating temperature range is -67°F to +180°F (-55°C to +80°C)
- Cable mount construction :  
Operating temperature range is -400°F to +700°F (-190°C to +350°C)
- Comply with military specifications MIL-S-55286 (S-280) and MIL-STD-810

## Installation

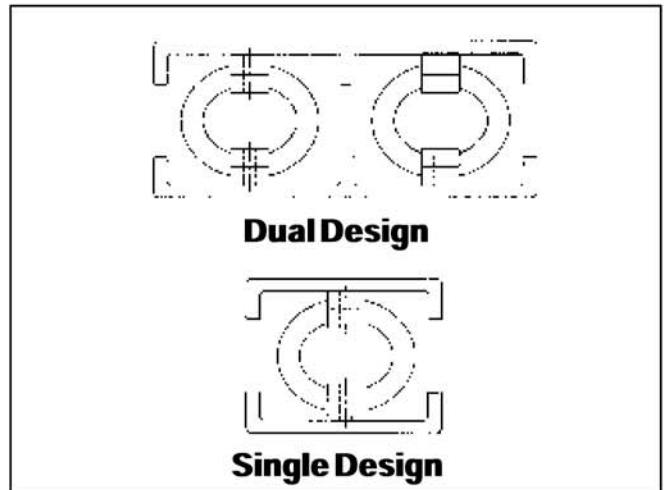
- Skid mounts can be bolted or riveted to the shelters.
- Custom hole pattern available
- Tow-eyes, forklift cutouts, special finishes available

## How to order

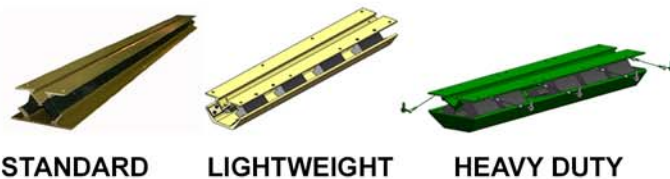
- Specify payload, length, performance specification and specific requirements. ShockSkids™ application form is printed on reverse side of the page for your assistance.
- For non standard items, contact Shock-Tech.



**ShockSkid™ Elastomeric Construction**



**ShockSkid™ Cable Mount Construction**



# ShockSkids™ APPLICATION FORM

ATTN : SHOCK-TECH SALES DEPT.  
FROM :  
PHONE :  
COMPANY :

FAX : 845-368-8799

TITLE :  
FAX :  
DATE / /

PROGRAM NAME \_\_\_\_\_ NUMBER OF SHELTERS \_\_\_\_\_

ITEM

Shelter Weight \_\_\_\_\_ lbs Length \_\_\_\_\_ inches Width \_\_\_\_\_ inches

Center of Gravity From front \_\_\_\_\_ inches From left side \_\_\_\_\_ inches

Number of Skids per Shelter \_\_\_\_\_

Forklift Cutouts Yes \_\_\_\_\_ No \_\_\_\_\_

Towing Eyes Yes \_\_\_\_\_ No \_\_\_\_\_

Mounting Holes Required Yes \_\_\_\_\_ No \_\_\_\_\_  
(if yes submit drawing showing hole locations)

Environment Conditions

Fluid Exposure Yes \_\_\_\_\_ No \_\_\_\_\_

Temperature Range

Response to 18" flat drop 20 G's \_\_\_\_\_ Other \_\_\_\_\_

Response to 18" edge drop 20 G's \_\_\_\_\_ Other \_\_\_\_\_

Applicable Mil Specs Mil-S-55286 \_\_\_\_\_ Mil-Std 810 \_\_\_\_\_ Other \_\_\_\_\_

Other \_\_\_\_\_  
\_\_\_\_\_  
\_\_\_\_\_  
\_\_\_\_\_  
\_\_\_\_\_



360 Route 59 - Monsey, NY 10952 - Web: shocktech.info

Tel: 845-368-8600 - Fax: 845-368-8799 - E-mail: info@shocktech.com

## ShockSkids™