

CY06 - CY86 SERIES

Natural frequency	6-20 Hz	
Transmissibility at resonance	2.7 to 7	
Resilient element	Natural rubber or Polybutadiene	
Metal parts	Steel, zinc chromate	
Operating temperature	-40 to +180 deg.F	
Part Number	Load Rating	Mode
CY06-R01	22 lbs	Shear
CY20-R01	150 lbs	Shear
CY49-R01	170 lbs	Shear
CY49-R02	225 lbs	Shear
CY86-R01	375 lbs	Shear



Applications

- 1 Plant machinery, printing presses
- 1 Vibratory feeders, compactors
- 1 Motors, engines and generator sets
- 1 Air conditioning equipment
- 1 Shipping containers and transit cases

Characteristics

- 1 Low cost, lightweight and easy to install
- 1 Protects against both vibration and shock

Environment

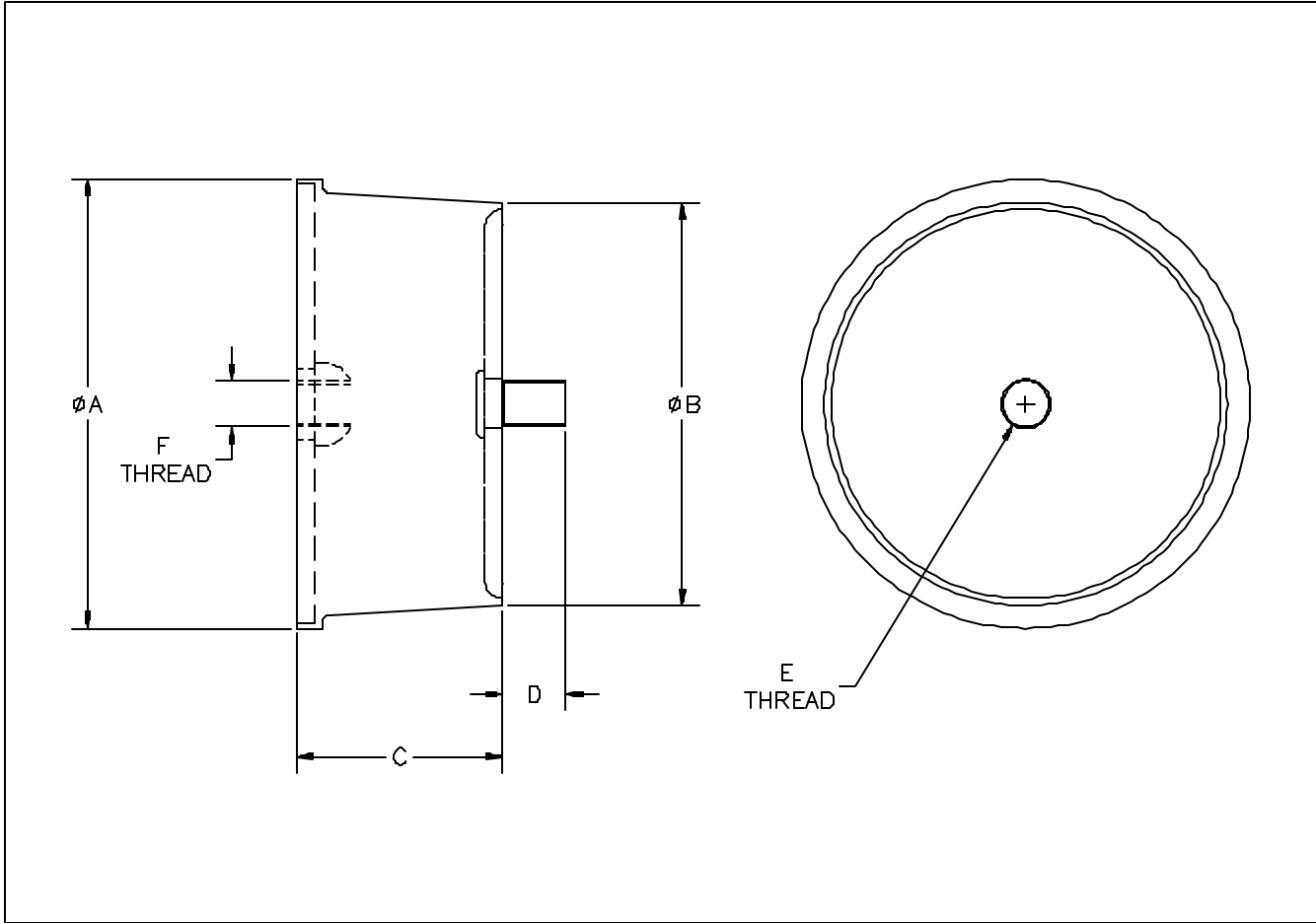
- 1 Elastomer is resistant to fungus and ozone. Good drift resistance.
- 1 Special elastomers available
- 1 - 40 to +180 deg.F operational temperature range

Installation

- 1 Refer to drawing
- 1 No special tools required

How to order

- 1 See table



Part No	Dimensions in inches						Vibration response			Flat drop		
	A	B	C	D	E	F	Shear load(lbs)	Fn (Hz)	Q factor	Height (in.)	Deflect. (in.)	Output G's
CY06-R01	2.20	2.20	1.75	1.00	3/8-24	3/8-24	22	30	3.2	24	1.6	29
CY20-R01	4.40	3.75	2.25	0.685	1/2-20	1/2-20	150	7	5.5	37	3.1	22
CY49-R01	4.90	4.40	2.25	0.685	1/2-20	1/2-20	170	8	5	37	3.1	19
CY49-R02	4.90	4.40	2.25	0.685	1/2-20	1/2-20	228	8	3.2	37	3.2	18
CY86-R01	5.65	4.80	3.00	1.03	3/4	3/4	375	9	3.5	28	1.8	15