

CP51, CP52 & CP53 SERIES

Natural Frequency	15-40 Hz		
Transmissibility at resonance	VHDS Silicone : 4 Max.		
	Neoprene : 10 Max.		
Axial/Radial frequency ratio	1:0.75 approx		
Resilient element	VHDS Silicone or Neoprene		
Metal parts	Zinc plated steel		
Operating temperature	Silicone : -67 to +300 deg.F (-55 to +150 deg.C)		
	Neoprene : -20 to +180 deg.F (-30 to +180 deg.C)		
Weight	2.5 oz. center plate type (CP52)		
	3.5 oz. cup type (CP53)		
Part Number		Load Rating	
Silicone	Neoprene	Stationary (lbs)	Vehicular (lbs)
CP52-S01	CP52-N01	15	4 - 7
CP52-S02	CP52-N02	25	8 - 11
CP52-S03	CP52-N03	35	12 - 17
CP52-S04	CP52-N04	50	18 - 30



CP52 - CENTER PLATE TYPE



CP53 - CUP TYPE

Characteristics

- All-Attitude mount
- Axial to Radial stiffness ratio of approx. 1:0.75
- Fail-safe construction

Environment

- Silicone meets shock and vibration requirements of MIL-E-5400 and is recommended for use when broad operational temperature range is required.
- Neoprene is recommended for use when temperature extremes are not required but resistance to oil or ozone is required

Installation

- No special tools required
- Available with tapped or through core.

Applications

- Airborne electronics
- Ground mobile equipment
- Racks
- Electric motors

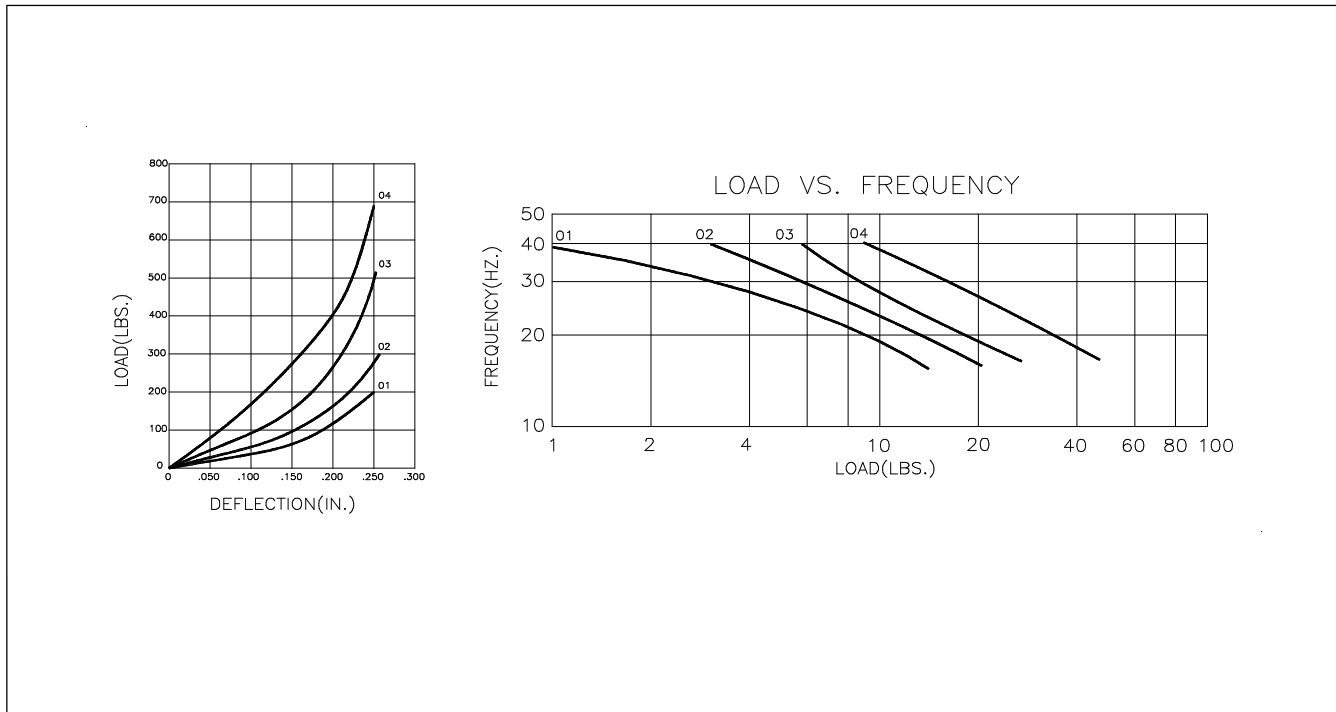
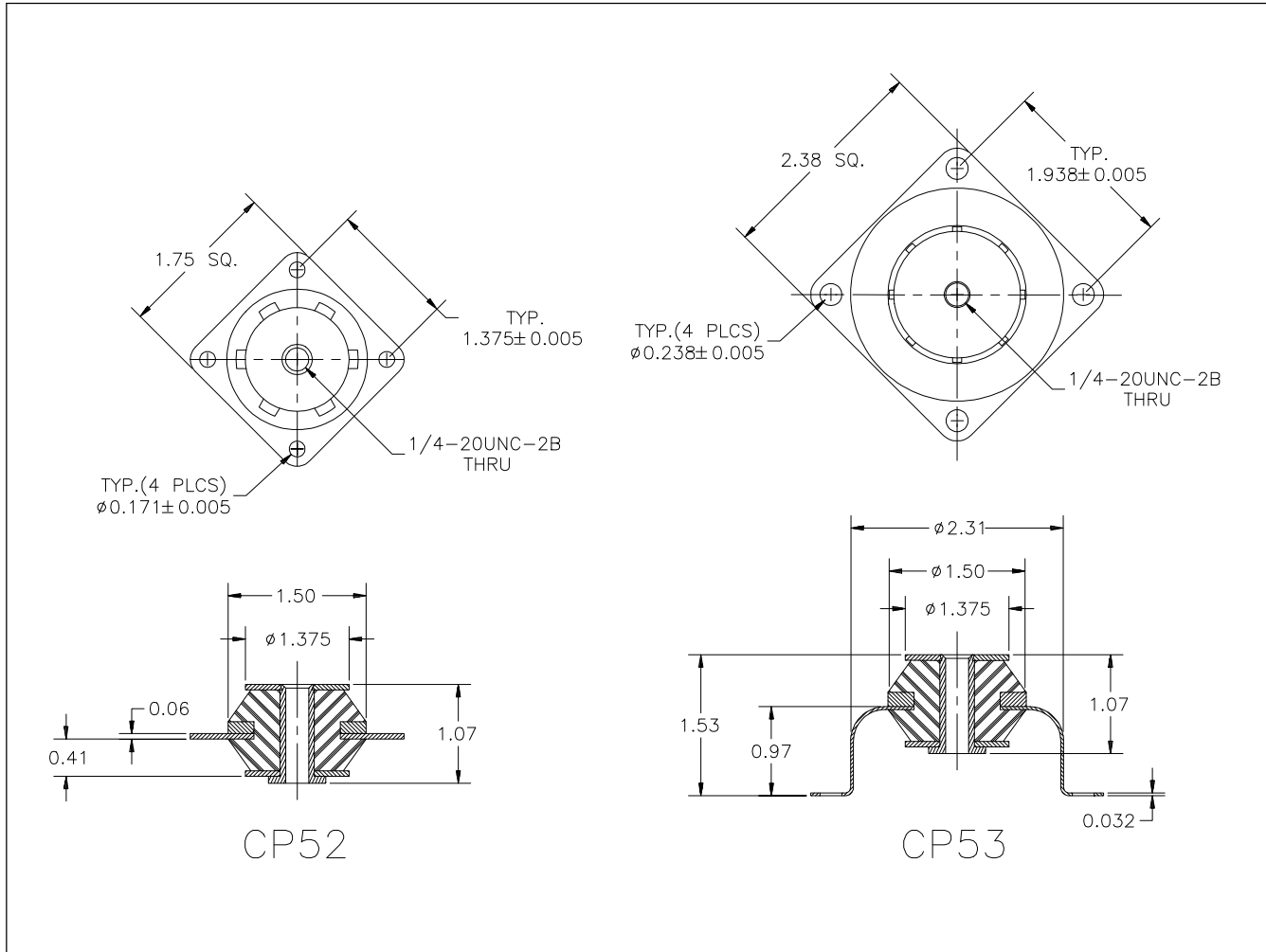
HOW TO ORDER

Standard configuration suffix "- C - X" unless otherwise specified in order

Basic Model Number :	Elastomer :	Load :	Center Hole :	Holding Side :
CP51 no center plate (washer assembly shipped loose) or CP52 center plate or CP53 cup type	S = Silicone N = Neoprene Other materials available, please consult us	Refer to load rating chart above : 01, 02, 03 or 04	C = 1/4-20 UNC-2B* L = thru hole F = 1/4-28UNF-2B	X = hex end of tapped * core opposite 1.5 inch diameter ring. Y = hex end of tapped core on 1.5 inch diameter ring side.
Example : CP52-	S	01	L	X

For non standard items contact Shock-Tech

Specifications are subject to change without notice.



SHOCK TECH
Solution For Shock & Vibration Control

360 Route 59 - Monsey, NY 10952 - **Web:** shocktech.info
Tel: 845-368-8600 - **Fax:** 845-368-8799 - **E-mail:** info@shocktech.com

CP51, CP52 & CP53 SERIES