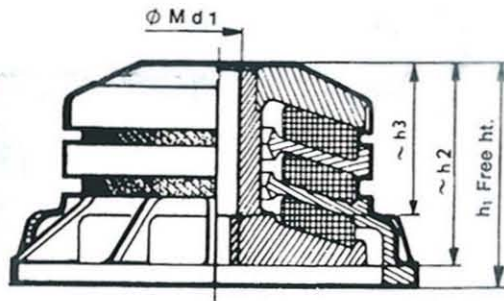


# SHOCK TECH

360 Route 59  
Monsey, NY 10952  
Tel : 845 368 8600  
Fax: 845 368 8799

Email: [info@shocktech.com](mailto:info@shocktech.com)  
Web: [www.shocktech.com](http://www.shocktech.com)

Shock Tech, Incorporated p/n WM318D wire mesh mount specification sheet



$h1=125$  mm

$h2=112$  mm

$h3=80$  mm

$d1=127$  mm

$d2=17$  mm

$a=170$  mm

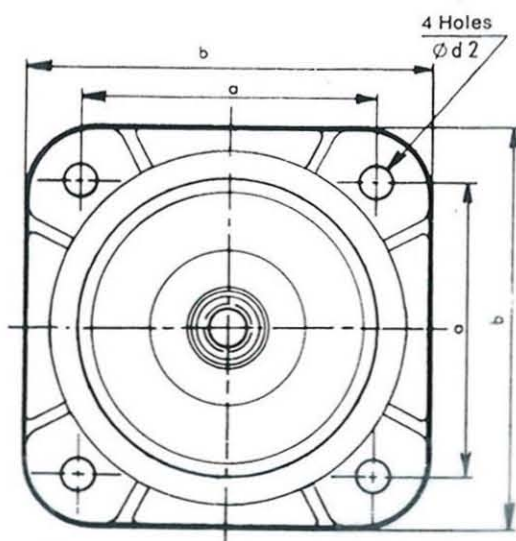
$b=220$  mm

damping ratio=0.125

weight carrying capability in compression=562 to 15,737 lbf

for isolating rotating machinery less than 2000 rpm

mount weight=29 lbf



Applications include: gensets, air compressors, blowers, fans, air conditioners.

PREPARED BY:

APPROVED BY: