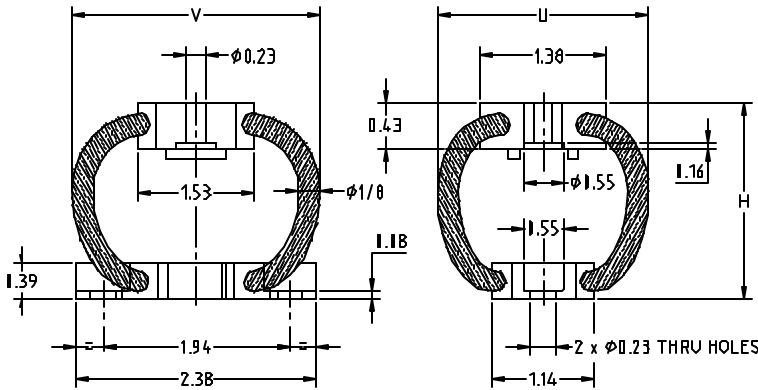
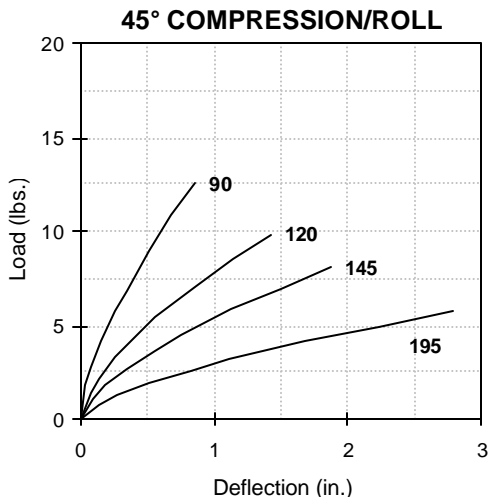
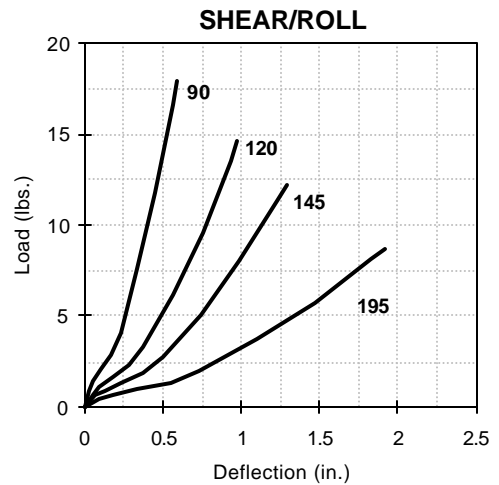
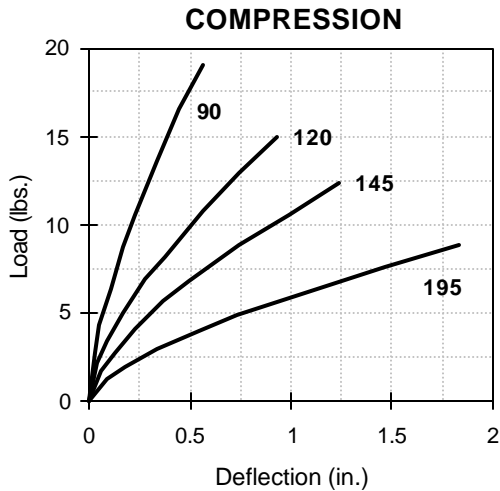


# Multical Isolator Series ICM4



Series	Model	Height H	Width		Compression		Shear & Roll		45°Comp/Roll	
			U	V	Rate lbs/in	Defl./in	Rate lbs/in	Defl./in	Rate lbs/in	Defl./in
ICM4	90	1.5	1.8	2.2	34	0.6	30	0.6	15	0.9
	120	1.9	2.1	2.5	16	0.9	15	1.0	7	1.4
	145	2.2	2.3	2.7	10	1.2	9	1.3	4	1.9
	195	2.8	2.7	3.1	5	1.8	5	1.9	2	2.8



## Material and Finishes

- 1 Cable: Stainless Steel
- 1 Mounting: Aluminum Alloy

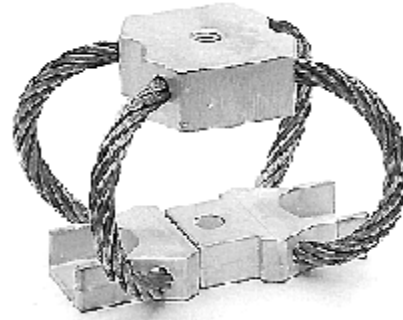
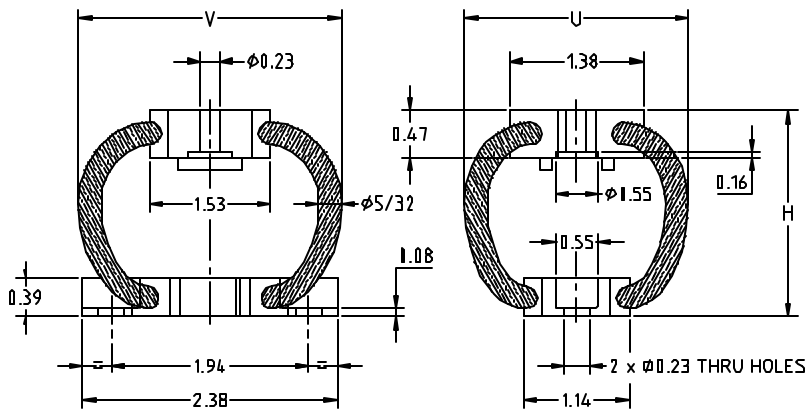
### How to Order

1 Example: ICM4 - 120

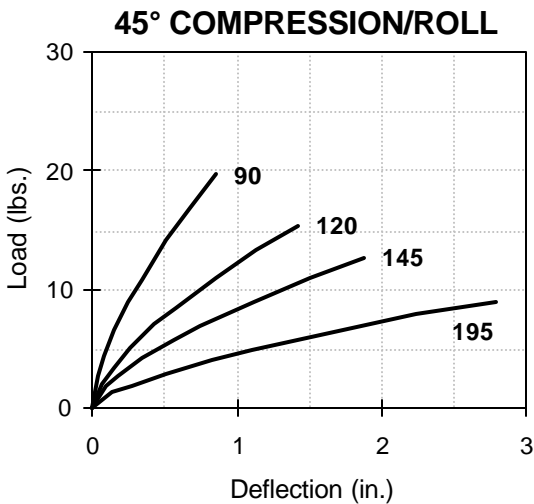
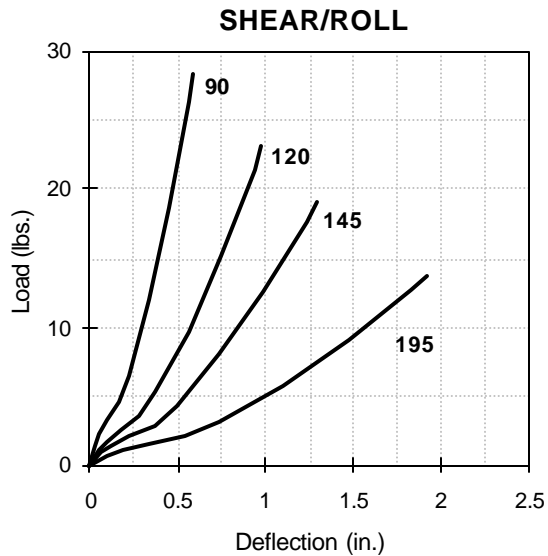
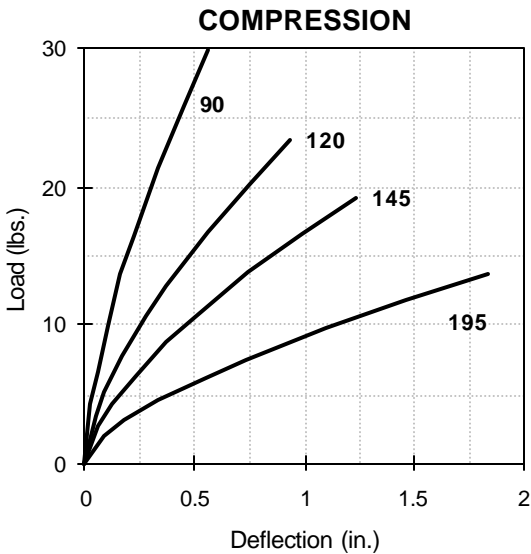
Series | Model

© 09/03 Shock-Tech - ICM4.PM6.5

Specifications are subject to change without notice



Series	Model	Height H	Width		Compression		Shear & Roll		45°Comp/Roll	
			U	V	Rate lbs/in	Defl./in	Rate lbs/in	Defl./in	Rate lbs/in	Defl./in
ICM5	90	1.5	1.8	2.3	53	0.6	48	0.6	23	0.9
	120	1.9	2.1	2.5	25	0.9	23	1.0	11	1.4
	145	2.2	2.3	2.7	16	1.2	15	1.3	7	1.9
	195	2.9	2.7	3.2	7	1.8	7	1.9	3	2.8



## Material and Finishes

- 1 Cable: Stainless Steel
- 1 Mounting: Aluminum Alloy

### How to Order

1 Example: ICM5 – 120  
 |                   |  
 Series    Model

© 09/03 Shock-Tech - ICM5.PM6.5

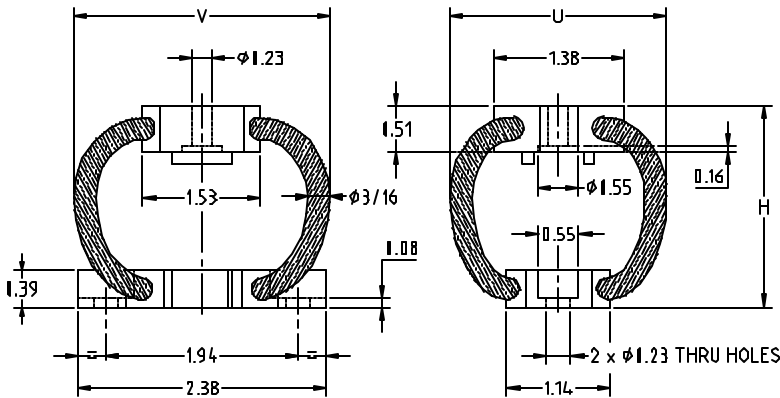
Specifications are subject to change without notice

**SHOCK TECH**  
 Solution For Shock & Vibration Control

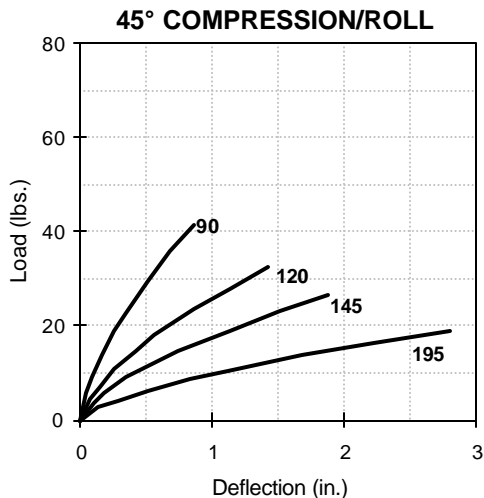
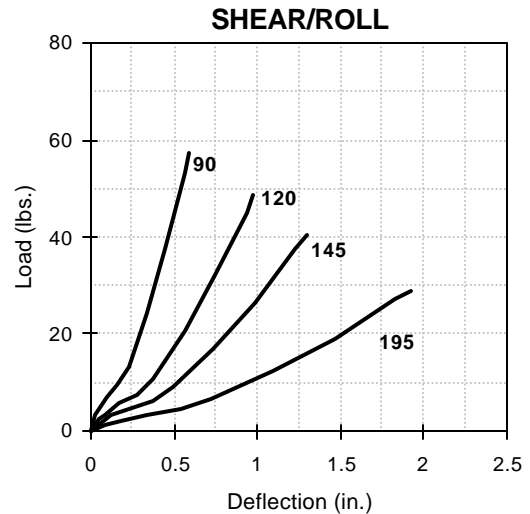
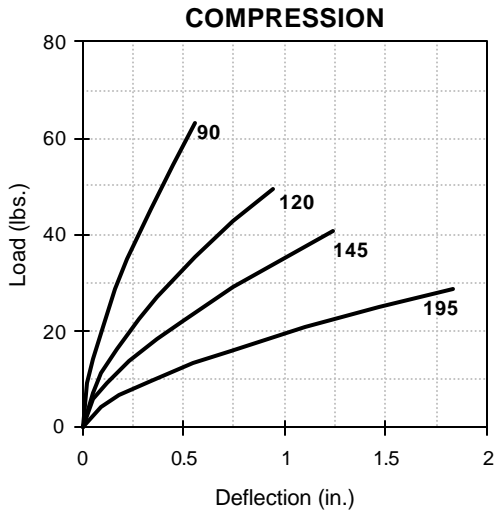
360 Route 59 - Monsey, NY 10952 - **Web:** shocktech.info  
**Tel:** 845-368-8600 - **Fax:** 845-368-8799 - **E-mail:** info@shocktech.com

# Multical Isolator Series ICM5

# Multical Isolator Series ICM6



Series	Model	Height H	Width		Compression		Shear & Roll		45°Comp/Roll	
			U	V	Rate lbs/in	Defl./in	Rate lbs/in	Defl./in	Rate lbs/in	Defl./in
ICM6	90	1.6	1.9	2.4	112	0.6	97	0.6	48	0.9
	120	2.0	2.1	2.6	53	0.9	50	1.0	23	1.4
	145	2.3	2.4	2.8	33	1.2	31	1.3	14	1.9
	195	2.9	2.8	3.2	16	1.8	15	1.9	7	2.8



## Material and Finishes

- 1 Cable: Stainless Steel
- 1 Mounting: Aluminum Alloy

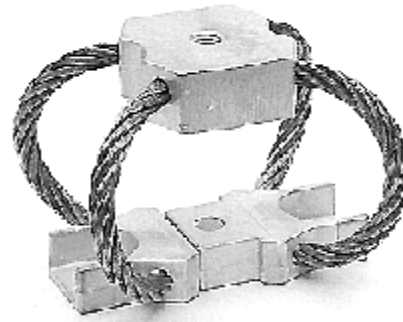
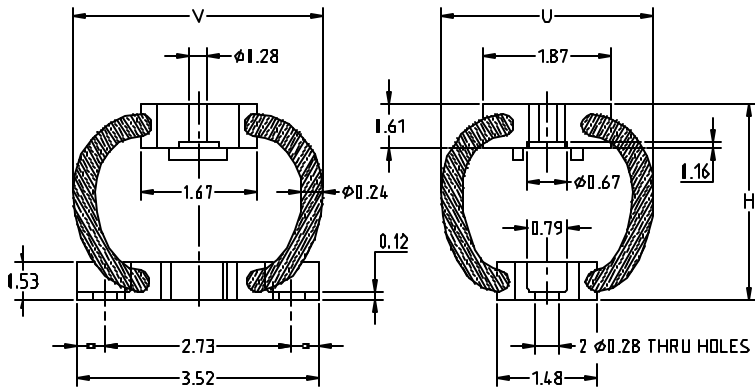
### How to Order

1 Example: ICM6 - 120

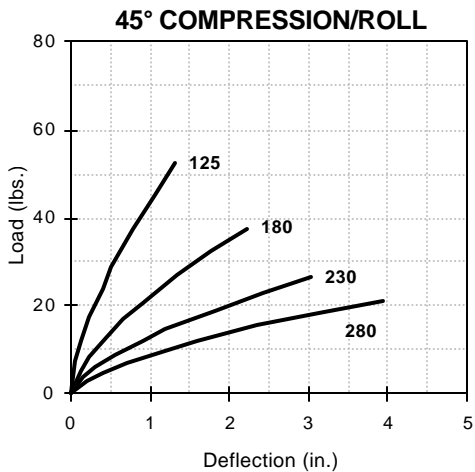
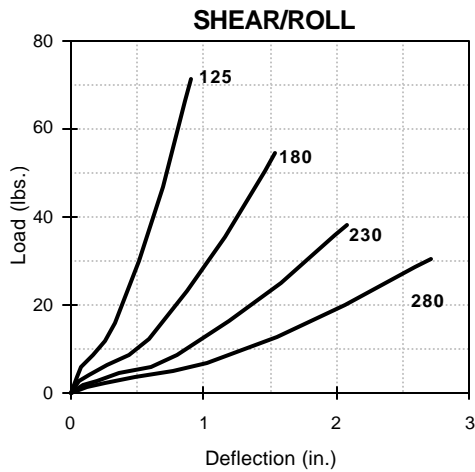
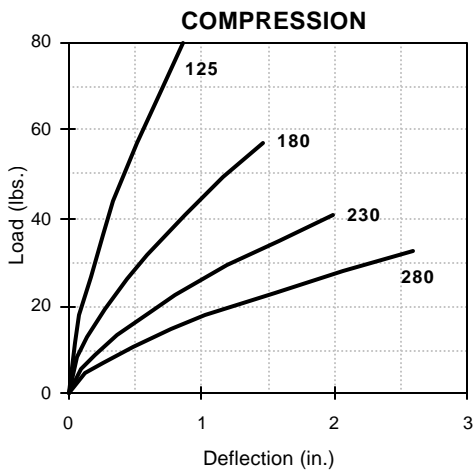
Series Model

© 09/03 Shock-Tech - ICM6.PM6.5

Specifications are subject to change without notice



Series	Model	Height H	Width		Compression		Shear & Roll		45°Comp/Roll	
			U	V	Rate lbs/in	Defl./in	Rate lbs/in	Defl./in	Rate lbs/in	Defl./in
ICM8	125	2.2	2.4	3.2	92	0.9	78	0.9	40	1.3
	180	2.8	2.9	3.5	39	1.5	35	1.5	17	2.2
	230	3.4	3.2	4	20	2	18	2.1	9	3
	280	4	3.8	4.4	13	2.6	11	2.7	5	3.9



### Material and Finishes

- 1 Cable: Stainless Steel
- 1 Mounting: Aluminum Alloy

### How to Order

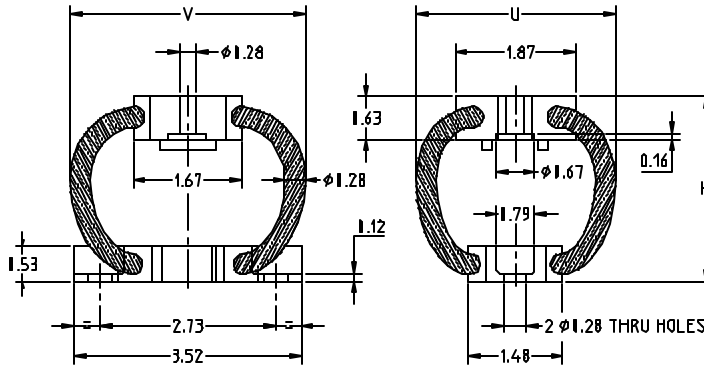
1 Example: ICM8 – 230

Series Model

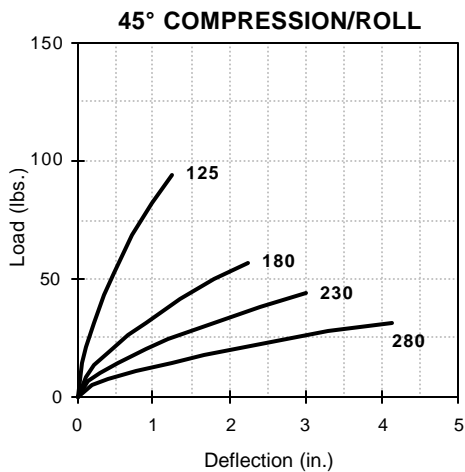
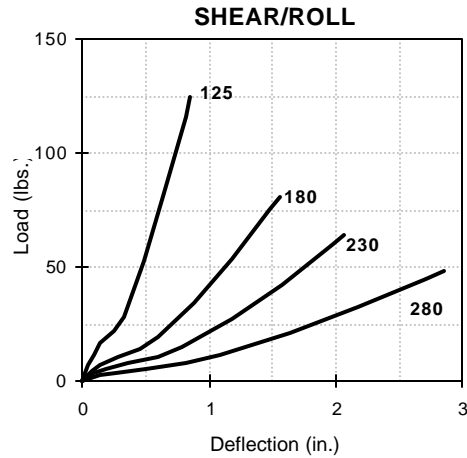
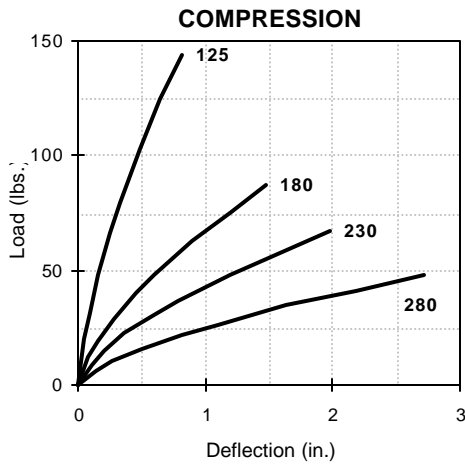
© 09/03 Shock-Tech - ICM8.PM6.5

Specifications are subject to change without notice

# Multical Isolator Series ICM9



Series	Model	Height H	Width		Compression		Shear & Roll		45°Comp/Roll	
			U	V	Rate lbs/in	Defl./in	Rate lbs/in	Defl./in	Rate lbs/in	Defl./in
ICM9	125	2.2	2.6	3.1	178	0.8	147	0.8	77	1.2
	180	2.9	3	3.5	54	1.5	52	1.6	25	2.3
	230	3.4	3.3	3.9	34	2	31	2.1	15	3
	280	4.2	3.3	4.4	18	2.7	17	2.9	8	4.1



## Material and Finishes

- 1 Cable: Stainless Steel
- 1 Mounting: Aluminum Alloy

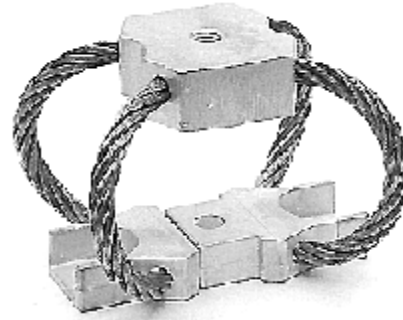
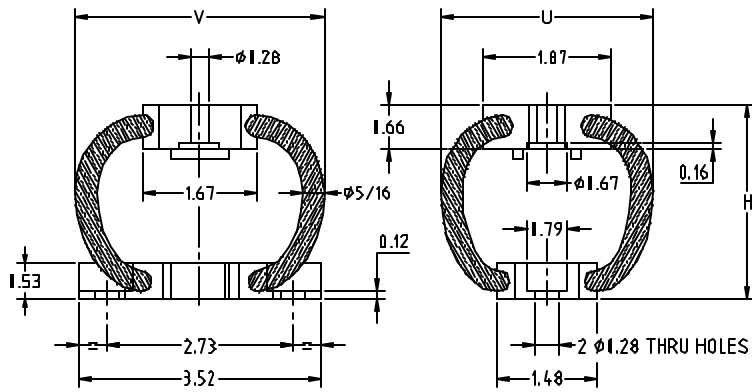
### How to Order

1 Example: ICM9 - 280

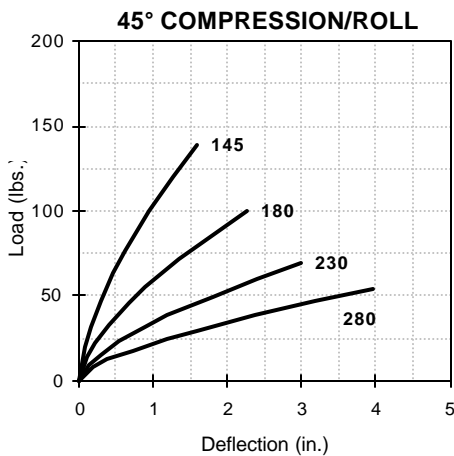
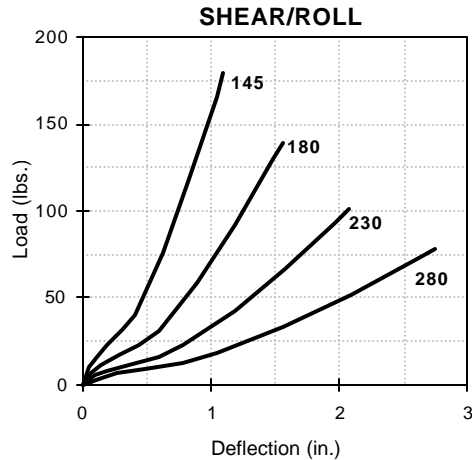
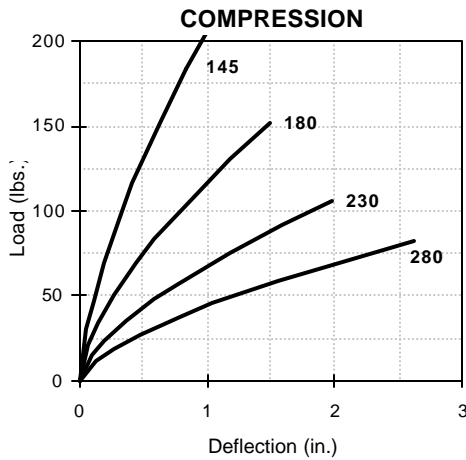
|            |  
Series    Model

© 09/03 Shock-Tech - ICM9.PM6.5

Specifications are subject to change without notice



Series	Model	Height H	Width		Compression		Shear & Roll		45°Comp/Roll	
			U	V	Rate lbs/in	Defl./in	Rate lbs/in	Defl./in	Rate lbs/in	Defl./in
ICM10	145	2.4	2.8	3.4	203	1.0	164	1.1	88	1.6
	180	2.9	3.1	3.6	102	1.5	89	1.6	44	2.3
	230	3.4	3.3	3.9	53	2.0	48	2.1	3	3.0
	280	4.1	3.9	4.4	40	2.6	28	2.7	14	4.0



### Material and Finishes

- 1 Cable: Stainless Steel
- 1 Mounting: Aluminum Alloy

### How to Order

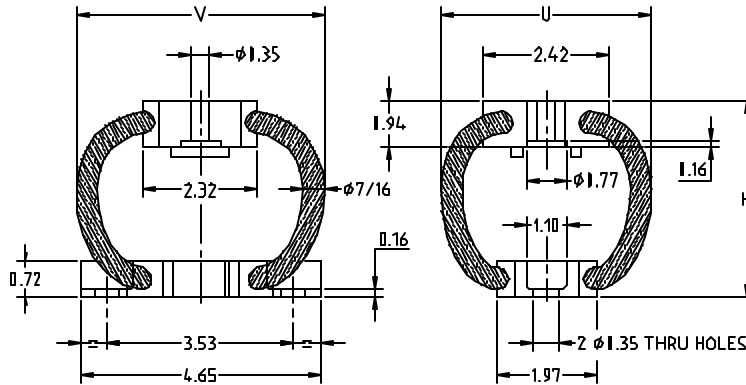
1 Example: ICM10 – 230

Series Model

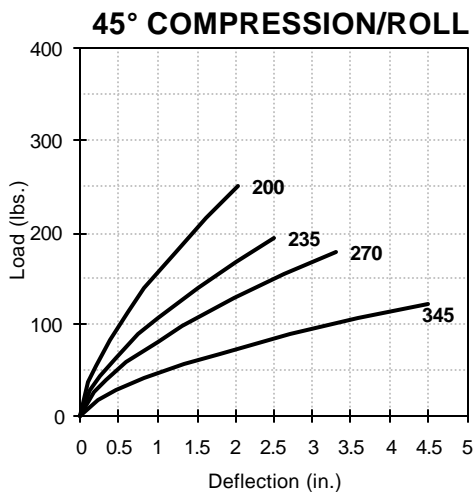
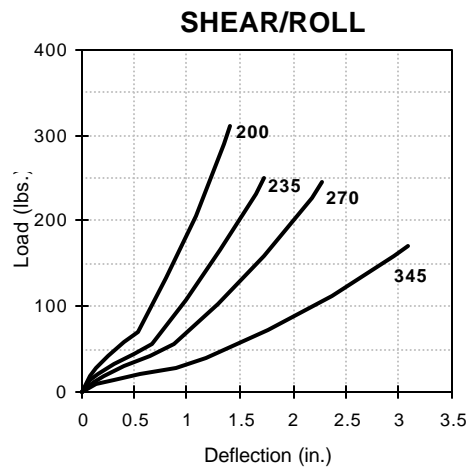
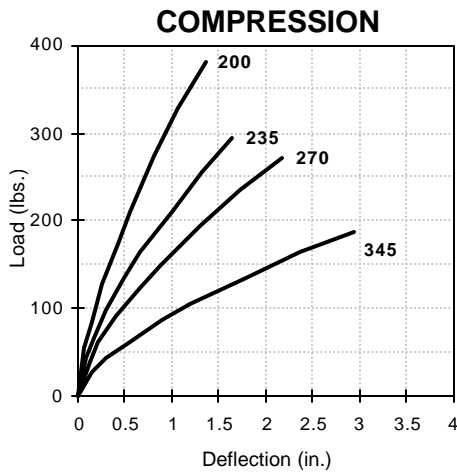
© 09/03 Shock-Tech - ICM10.PM6.5

Specifications are subject to change without notice

# Multical Isolator Series ICM11



Series	Model	Height H	Width		Compression		Shear & Roll		45°Comp/Roll	
			U	V	Rate lbs/in	Defl./in	Rate lbs/in	Defl./in	Rate lbs/in	Defl./in
ICM11	200	3.3	3.6	3.8	282	1.3	221	1.4	122	2.0
	235	3.6	3.8	5.0	179	1.6	144	1.7	77	2.5
	270	4.2	4.2	5.2	125	2.2	107	2.3	34	3.1
	345	5.0	4.9	5.8	64	3.0	55	3.1	27	4.5



## Material and Finishes

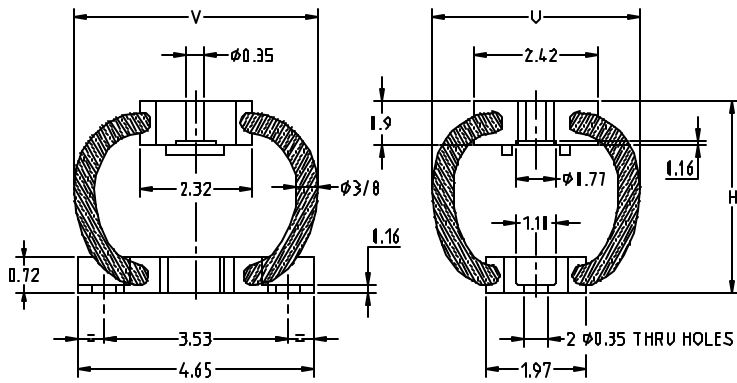
- 1 Cable: Stainless Steel
- 1 Mounting: Aluminum Alloy

### How to Order

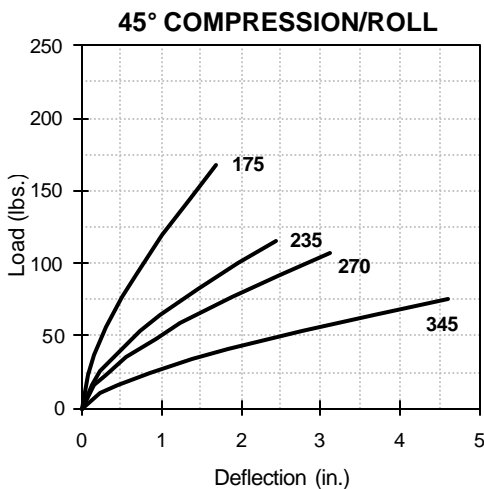
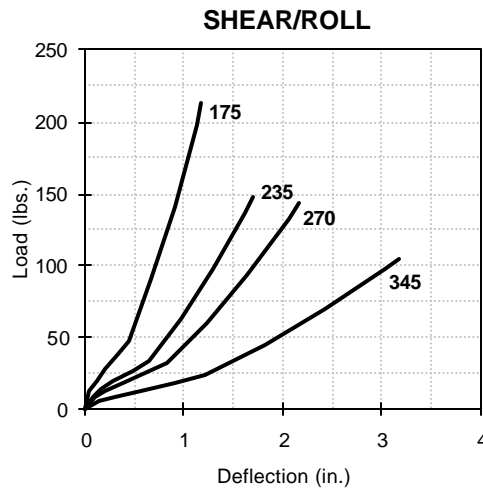
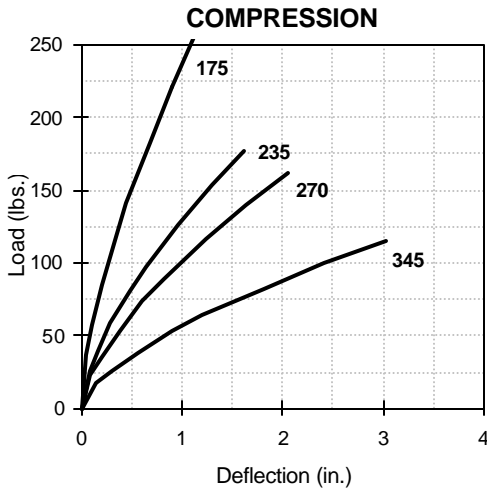
1 Example: ICM11 - 235  
                   |          |  
                   Series Model

© 09/03 Shock-Tech - ICM11.PM6.5

Specifications are subject to change without notice



Series	Model	Height H	Width		Compression		Shear & Roll		45°Comp/Roll	
			U	V	Rate lbs/in	Defl./in	Rate lbs/in	Defl./in	Rate lbs/in	Defl./in
ICM13	175	3.0	3.2	4.6	227	1.1	181	1.2	98	1.7
	235	3.5	3.8	4.9	110	1.6	87	1.7	47	2.4
	270	4.0	4.0	5.2	79	2.1	66	2.2	34	3.1
	345	5.0	4.9	5.7	38	3.0	33	3.2	16	4.6



## Material and Finishes

- 1 Cable: Stainless Steel
- 1 Mounting: Aluminum Alloy

### How to Order

1 Example: ICM13 – 175

Series Model

© 00/03 Shock-Tech - ICM13.PM6.5

Specifications are subject to change without notice

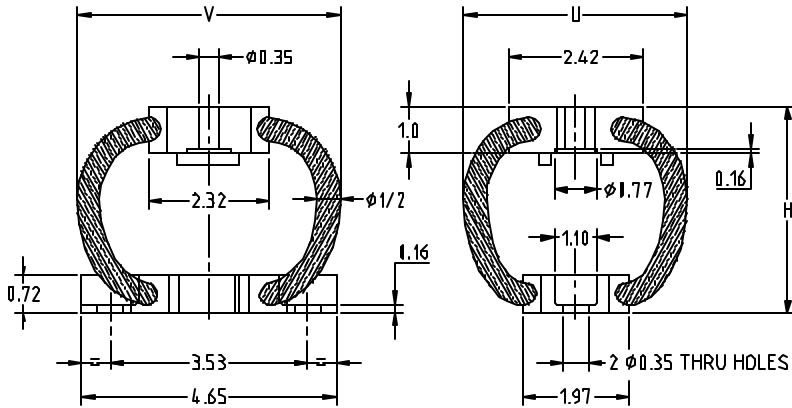
**SHOCK TECH**  
Solution For Shock & Vibration Control

360 Route 59 - Monsey, NY 10952 - **Web:** shocktech.info

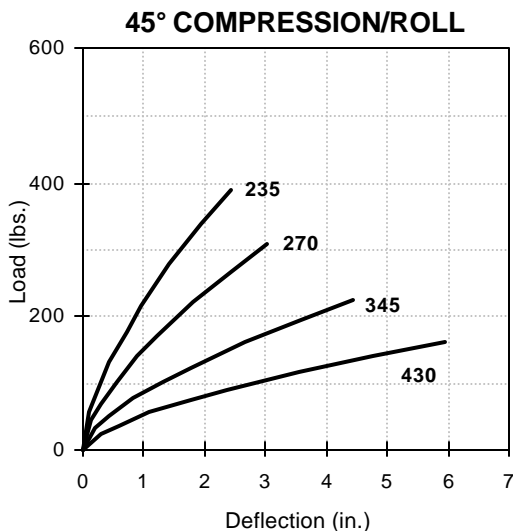
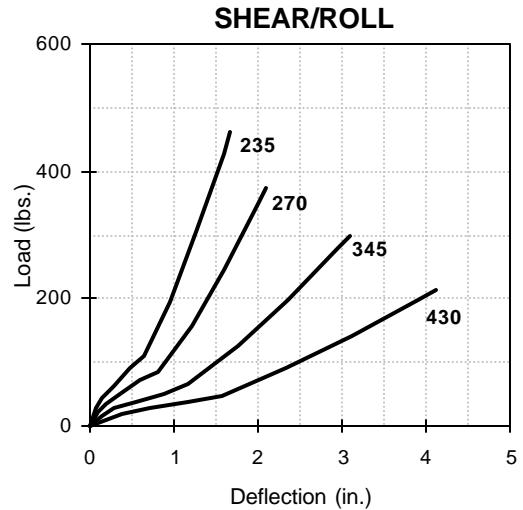
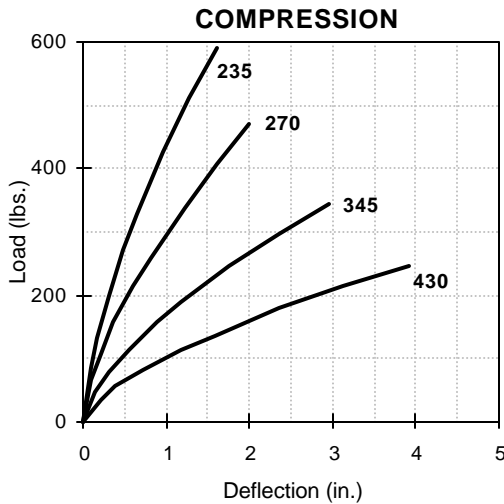
**Tel:** 845-368-8600 - **Fax:** 845-368-8799 - **E-mail:** info@shocktech.com

# Multical Isolator Series ICM13

# Multical Isolator Series ICM14



Series	Model	Height H	Width		Compression		Shear & Roll		45°Comp/Roll	
			U	V	Rate lbs/in	Defl./in	Rate lbs/in	Defl./in	Rate lbs/in	Defl./in
ICM14	235	3.6	4.1	5.1	371	1.6	277	1.7	160	2.4
	270	4.1	4.3	5.5	234	2.0	179	2.1	101	3.0
	345	5.0	5.0	5.9	116	2.9	97	3.1	50	4.5
	430	6.1	5.9	6.8	63	3.9	52	4.1	27	5.9



## Material and Finishes

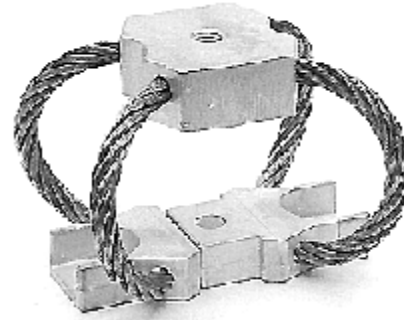
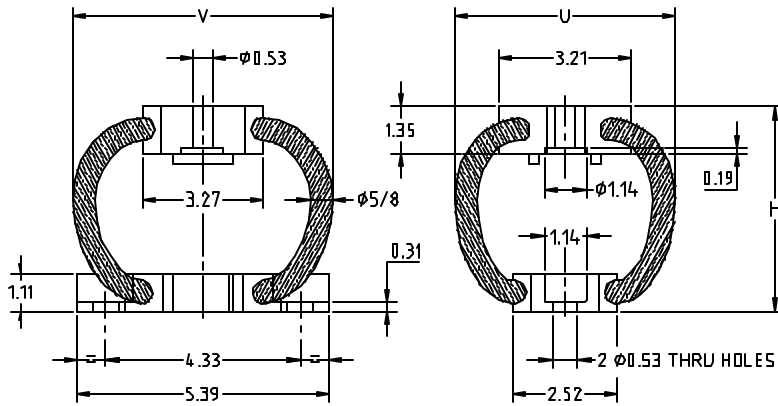
- 1 Cable: Stainless Steel
- 1 Mounting: Aluminum Alloy

### How to Order

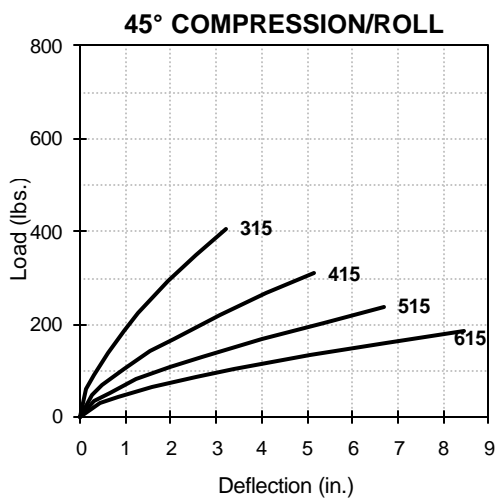
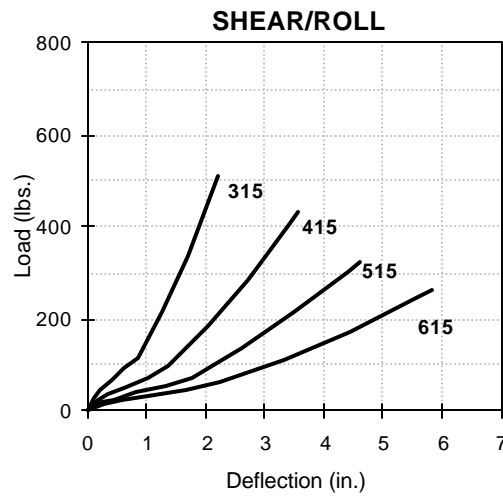
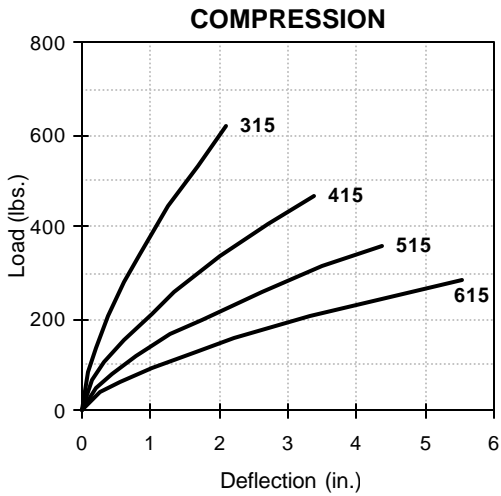
1 Example: ICM14 - 270  
                   |          |  
                   Series Model

© 09/03 Shock-Tech - ICM14.PM6.5

Specifications are subject to change without notice



Series	Model	Height H	Width		Compression		Shear & Roll		45°Comp/Roll	
			U	V	Rate lbs/in	Defl./in	Rate lbs./in	Defl./in	Rate lbs./in	Defl./in
ICM15	315	5.2	5.2	6.9	293	2.1	232	2.2	127	3.2
	415	6.5	6.1	7.5	139	3.4	122	3.6	60	5.1
	515	7.6	7.0	8.3	82	4.4	71	4.6	35	6.7
	615	8.8	7.9	9.2	51	5.6	45	5.8	22	8.4



## Material and Finishes

- 1 Cable: Stainless Steel
- 1 Mounting: Aluminum Alloy

### How to Order

1 Example: ICM15 – 315

Series Model

© 09.03 Shock-Tech - ICM15.PM6.5

Specifications are subject to change without notice

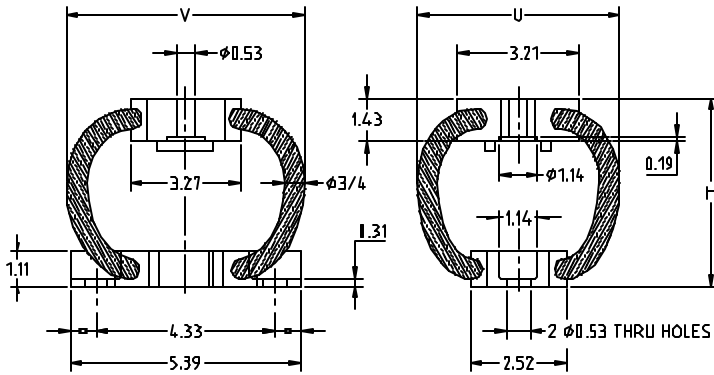
**SHOCK TECH**  
Solution For Shock & Vibration Control

360 Route 59 - Monsey, NY 10952 - **Web:** shocktech.info

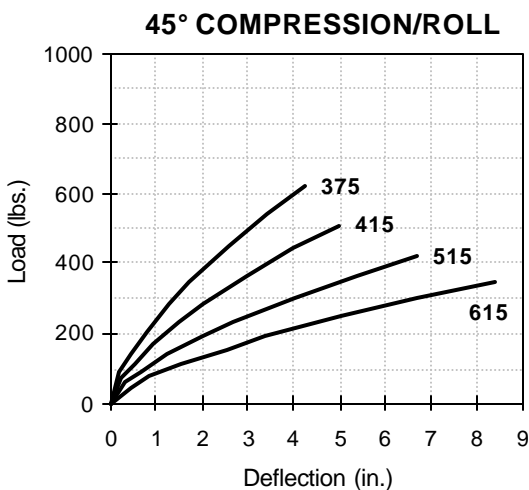
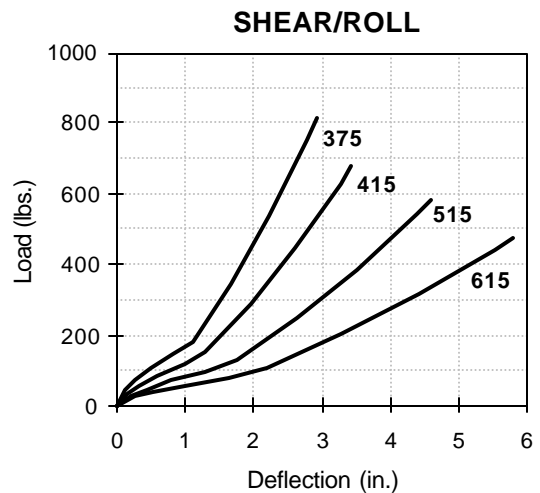
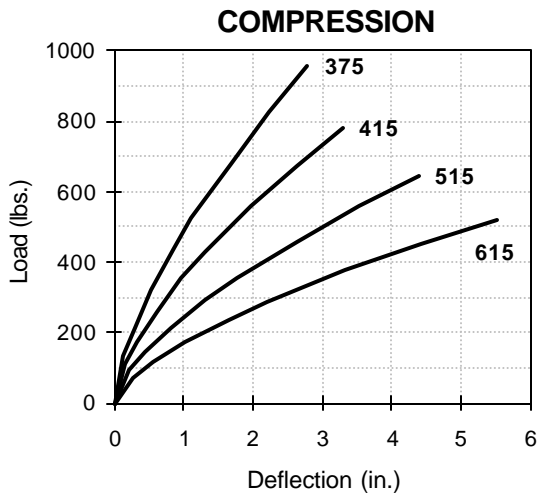
**Tel:** 845-368-8600 - **Fax:** 845-368-8799 - **E-mail:** info@shocktech.com

# Multical Isolator Series ICM15

# Multical Isolator Series ICM16



Series	Mode	Height H	Width		Compression		Shear & Roll		45°Comp/Roll	
			U	V	Rate lbs/in	Defl./in	Rate lbs/in	Defl./in	Rate lbs/in	Defl./in
ICM16	375	5.9	5.9	7.4	341	2.8	279	2.9	147	4.2
	415	6.5	6.3	7.8	238	3.3	197	3.4	103	5.0
	515	7.6	7.1	8.4	146	4.4	127	4.6	63	6.7
	615	8.8	8.1	9.3	95	5.5	82	5.8	41	8.4



## Material and Finishes

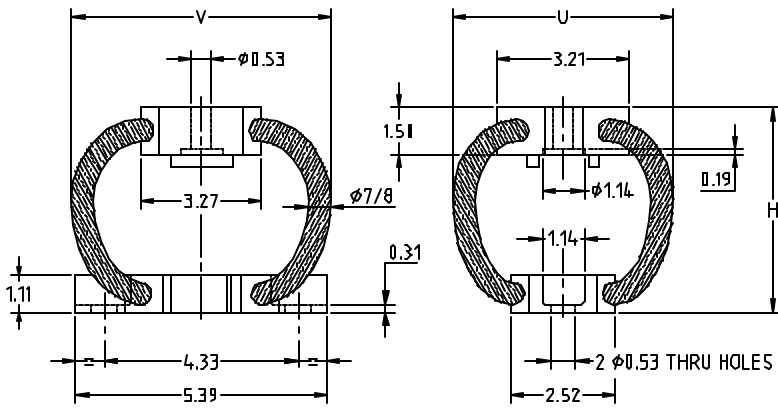
- 1 Cable: Stainless Steel
- 1 Mounting: Aluminum Alloy

### How to Order

1 Example: ICM16 - 375  
                   |      |  
                   Series Model

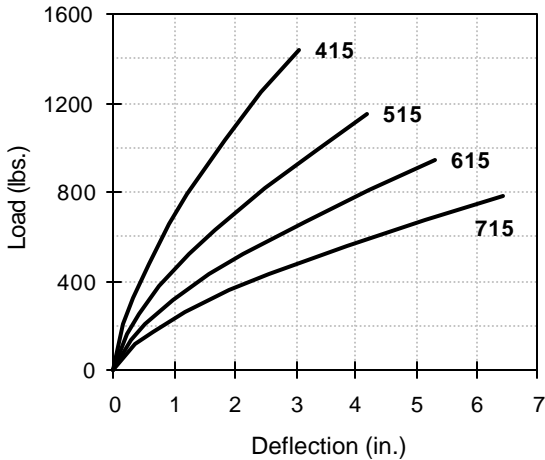
© 09/03 Shock-Tech - ICM16.PM6.5

Specifications are subject to change without notice

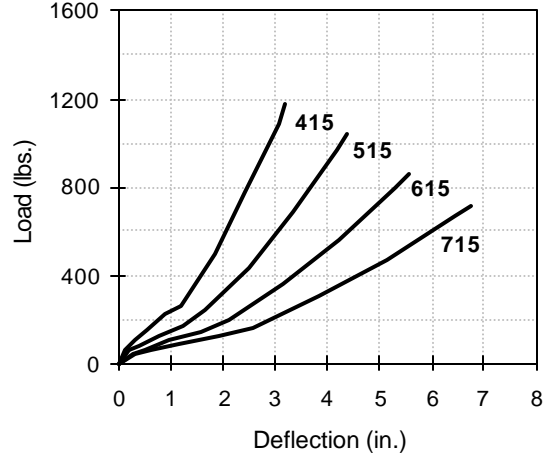


Series	Model	Height H	Width		Compression		Shear & Roll		45°Comp/Roll	
			U	V	Rate lbs/in	Defl./in	Rate lbs/in	Defl./in	Rate lbs/in	Defl./in
ICM17	415	6.3	6.4	8.1	471	3.1	367	3.2	203	4.6
	515	7.5	7.5	8.4	274	4.2	237	4.4	118	6.4
	615	8.7	8.1	9.1	177	5.3	154	5.6	76	8.1
	715	9.8	9.3	9.8	122	6.4	106	6.7	53	9.8

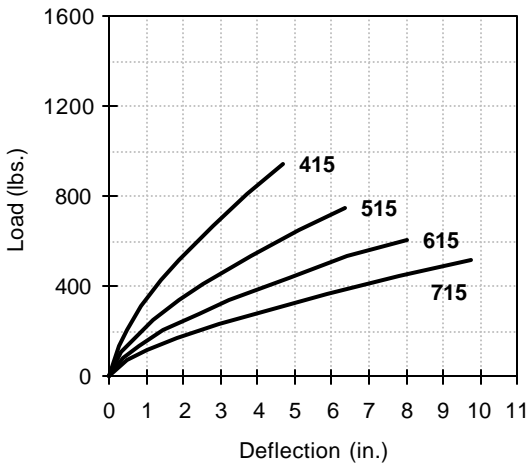
### COMPRESSION



### SHEAR/ROLL



### 45° COMPRESSION/ROLL



### Material and Finishes

- 1 Cable: Stainless Steel
- 1 Mounting: Aluminum Alloy

### How to Order

1 Example: ICM17 - 415

Series Model

© 09/03 Shock-Tech, Inc. - ICM17.PM6.5

Specifications are subject to change without notice

**SHOCK TECH**

360 Route 59 - Monsey, NY 10952 - **Web:** shocktech.info

**Tel:** 845-368-8600 - **Fax:** 845-368-8799 - **E-mail:** info@shocktech.com

# Multical Isolator Series ICM17