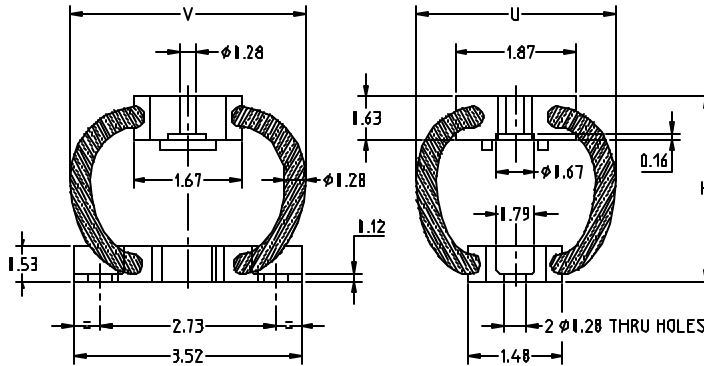
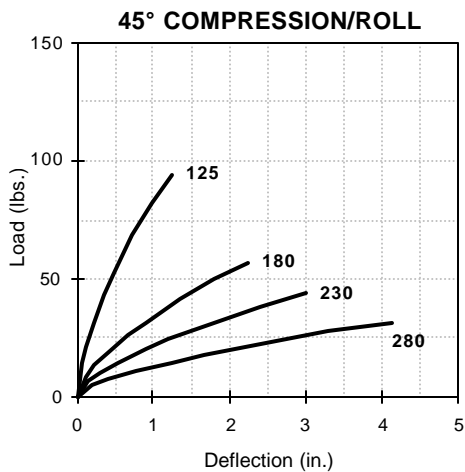
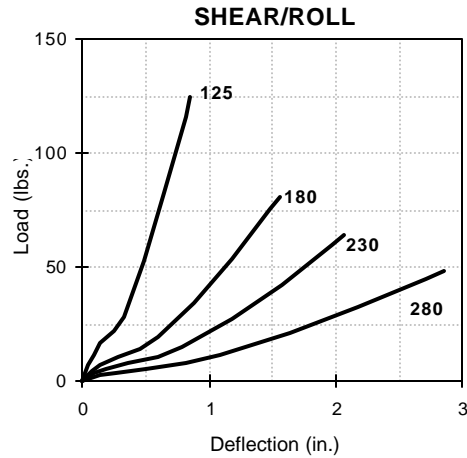
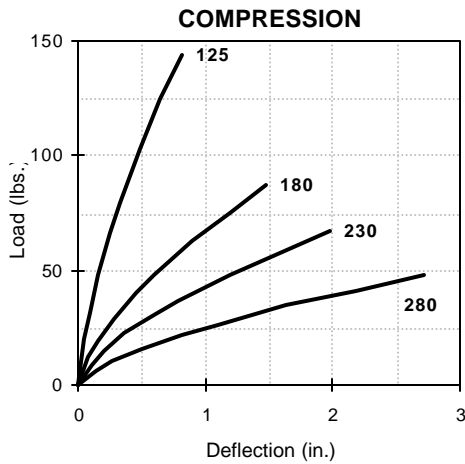


Multical Isolator Series ICM9



Series	Model	Height H	Width		Compression		Shear & Roll		45°Comp/Roll	
			U	V	Rate lbs/in	Defl./in	Rate lbs/in	Defl./in	Rate lbs/in	Defl./in
ICM9	125	2.2	2.6	3.1	178	0.8	147	0.8	77	1.2
	180	2.9	3	3.5	54	1.5	52	1.6	25	2.3
	230	3.4	3.3	3.9	34	2	31	2.1	15	3
	280	4.2	3.3	4.4	18	2.7	17	2.9	8	4.1



Material and Finishes

- 1 Cable: Stainless Steel
- 1 Mounting: Aluminum Alloy

How to Order

1 Example: ICM9 - 280

| |
Series Model

© 09/03 Shock-Tech - ICM9.PM6.5

Specifications are subject to change without notice